

SHOWER WALL PANELS & ACCESSORIES

Shower Panels & Flatstock

Meridian Solid Surface shower panels and flat-stock provide a beautiful, durable alternative for shower wall panels and partitions in a variety of commercial, institutional, and higher education applications.

All Meridian Solid Surface products are non-porous, so they resist mold, mildew, and stains and do not support the growth of harmful bacteria.

All Meridian Solid Surface products are manufactured with pride in Massillon, OH. We are American-Made!

- Choose from a variety of solid colors and granite-patterned colors
- Matte Finish standard
- Intended to be fitted and scribed at time of installation
- Minimum order of 12 square feet per color and 6 square feet per piece applies

1/4" THICK:

- Ideal for use as shower wall panels when applied to a solid backer such as green board or cement board. Can also be used for shower ceilings with additional mechanical fasteners.

1/2" THICK:

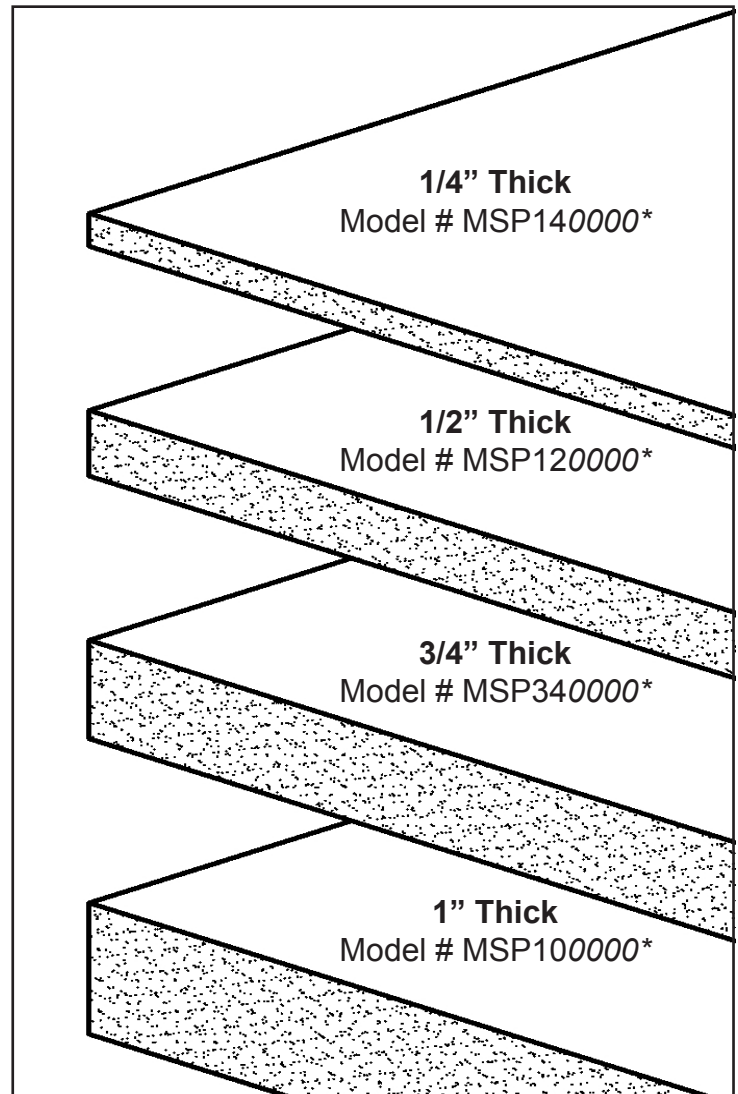
- Perfect for use in any horizontal application, including shower bench seats, vanity countertops, and wall caps.

3/4" THICK:

- Available finished two sides for use as shower or toilet partitions
- Available finished one side for use as window sills or other horizontal applications

1" THICK:

- Available finished two sides for use as shower or toilet partitions



* Insert actual finished panel dimensions in place of the "0000"