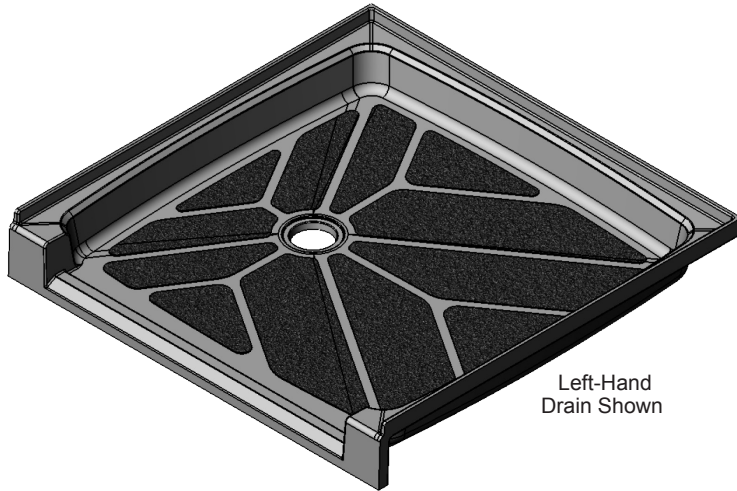


MERIDIAN SOLID SURFACE ONE-PIECE SHOWER BASE

Model # MSB3753675SACCOL (Left-Hand)
Model # MSB3753675SACCOR (Right-Hand)

37.5" x 36.75"

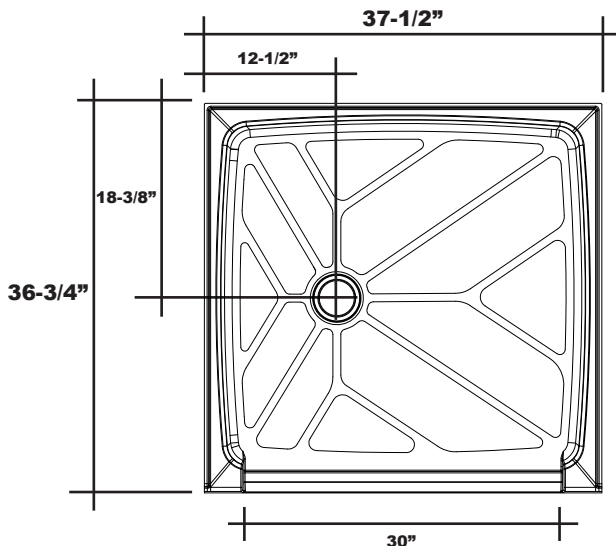
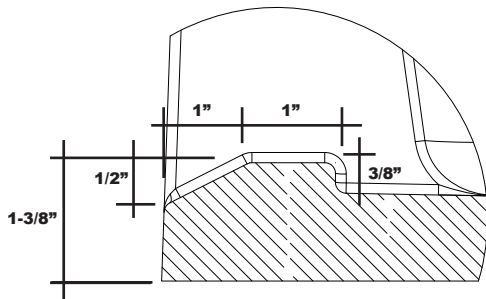
Accessible Offset Drain



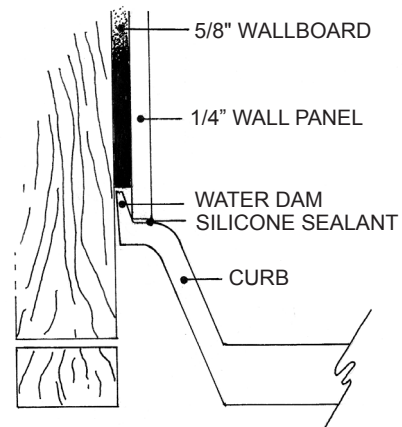
Special Note:

- Interpretation and enforcement of ADA guidelines varies from state to state. Please consult with your local enforcement agency prior to specifying or purchasing this product.

Threshold Detail



Section Thru Waterdam



- Integral shower floor and threshold for alcove installation
- Choose from a variety of solid colors and granite-patterned colors
- Offset drain configuration allows base to be used for right or left drain installation
- Easy to clean surface, does not promote mold or mildew
- Textured flooring helps prevent slipping
- Tapered floor helps water flow to drain
- Rigid water barrier integrated into base
- Uses standard 2" NPS strainer assembly
- Certified by Home Innovation Research Labs to the harmonized CSA B45.5/IAPMO Z124
- Approved by the Massachusetts Board of Examiners of Plumbers and Gasfitters

Massillon, OH 44647
330-837-2216

www.TowerShowers.com

www.TowerSinks.com

www.TowerSurfaces.com

