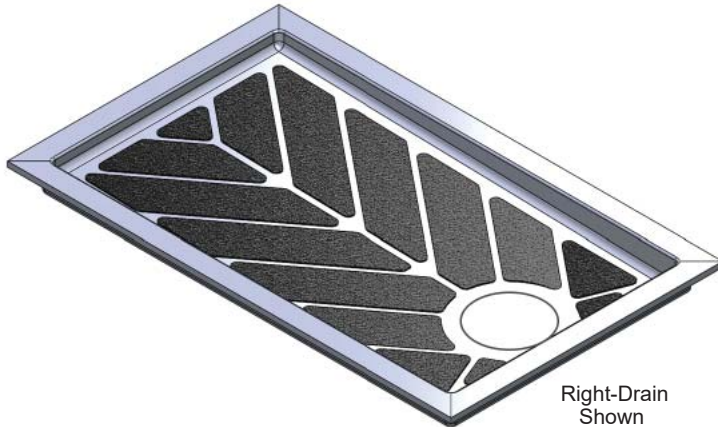


MERIDIAN SOLID SURFACE ONE-PIECE SHOWER BASE

63" x 38.5"

Universal Variable Drain

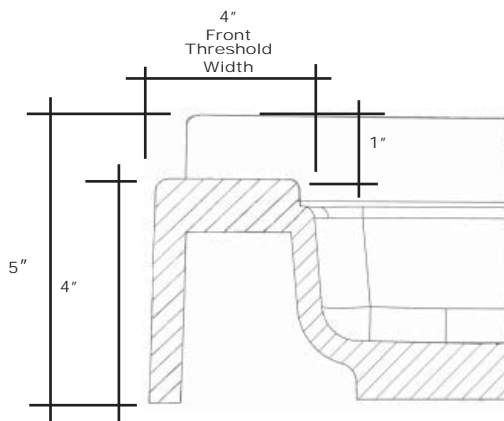
Model #MSB63385SUVL (Left-Drain)
 Model #MSB63385SUVR (Right-Drain)
 Model #MSB63385SUVF (Front-Drain)
 Model #MSB63385SUVB (Back-Drain)



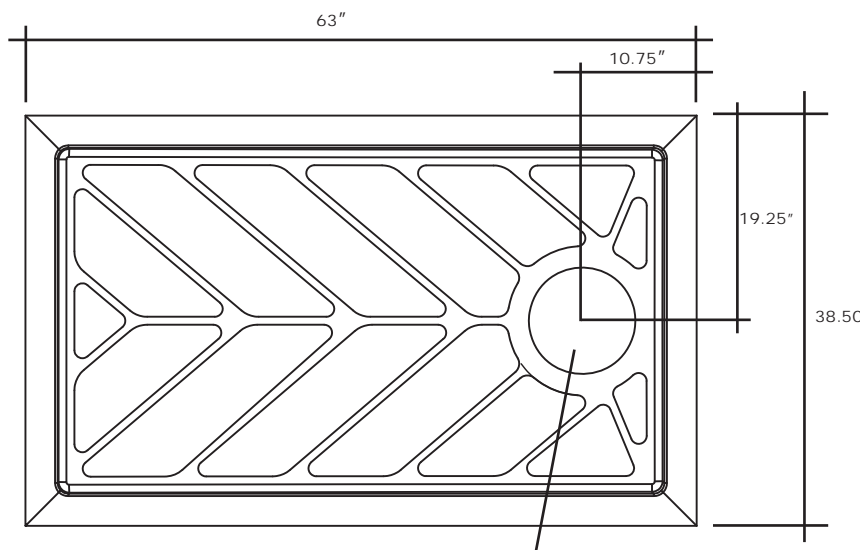
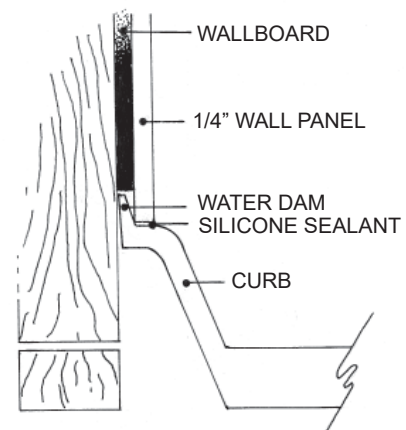
Right-Drain
Shown

- Integral shower floor and threshold for alcove installation
- Choose from a variety of solid colors and granite-patterned colors
- Shower floor drains toward 10" drain area allowing for drain orifice to be added anywhere within the 10" drain area
- Easy to clean surface, does not promote mold or mildew
- Textured flooring helps prevent slipping
- Tapered floor helps water flow to drain
- Rigid water barrier integrated into base
- Uses standard 2" NPS strainer assembly
- Certified by Home Innovation Research Labs to the harmonized CSA B45.5/IAPMO Z124
- Approved by the Massachusetts Board of Examiners of Plumbers and Gasfitters

Threshold Detail



Section Thru Waterdam



10" Drain
Area

Massillon, OH 44647
 330-837-2216

www.TowerShowers.com

www.TowerSinks.com

www.TowerSurfaces.com

