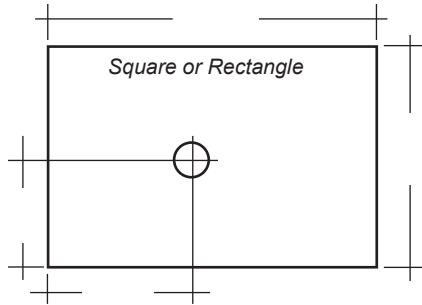


CUSTOM SHOWER BASE SUBMITTAL FORM

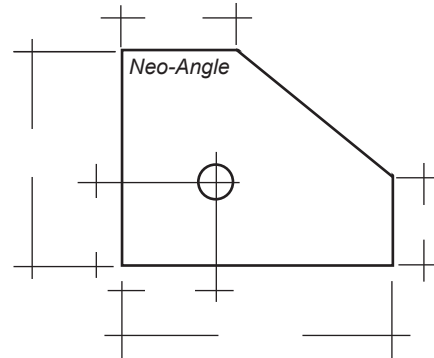
Place Check Mark Inside Box for Selected Options

QUANTITY	BASE SIZE	COLOR
		<input type="checkbox"/> Solid Color : _____ <input type="checkbox"/> Granite Pattern : _____



SHAPE OPTIONS:

Please Note Each Side as the Follows:
Walls Side = W
Threshold Side = T



<input type="checkbox"/> BASIC SERIES CUSTOM SHOWER BASES		
WATER DAM	TEXTURES	INDEPENDENT THRESHOLDS
	<p>Pebble Patterned</p>	<p>Raised</p>

<input type="checkbox"/> ELITE SERIES CUSTOM SHOWER BASES			
STEPPED WATER DAM	TEXTURES	INTEGRAL THRESHOLDS	INDEPENDENT THRESHOLDS
	<input type="checkbox"/> 2" x 2" Tile-Patterned <input type="checkbox"/> Pebble-Patterned <p>2" x 2" Tile Patterned</p> <p>Pebble Patterned</p>	<input type="checkbox"/> Raised <input type="checkbox"/> Accessible <p>Raised</p> <p>Accessible</p>	<input type="checkbox"/> Raised <input type="checkbox"/> Barrier-Free <p>Raised</p> <p>Barrier-Free</p>

Project Name: _____
 Project Address: _____
 General Contractor: _____
 Architect: _____
 Construction Manager: _____
 Distributor: _____

