

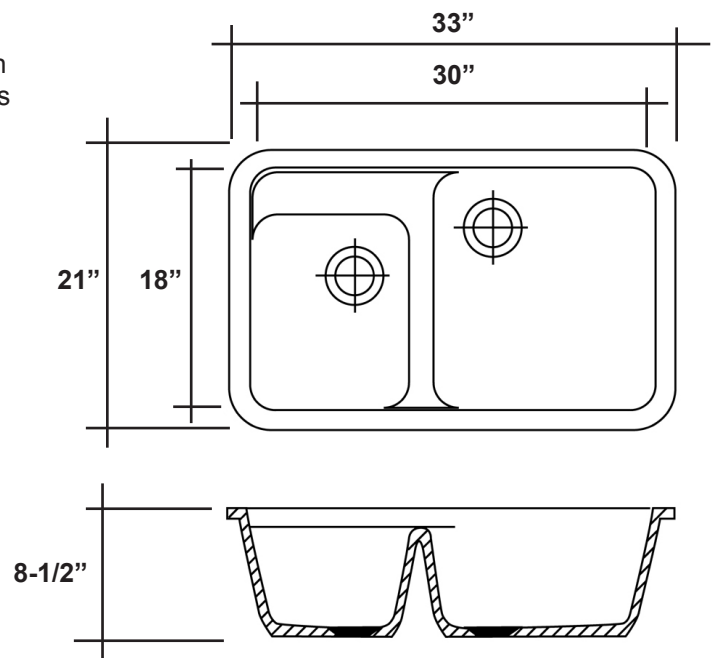
MERIDIAN UNDERMOUNT KITCHEN SINKS

104

Model # MKS104
Sink Weight 46 Lbs.



- Meridian sinks are suitable for undermount applications in a variety of residential and light commercial environments
- Each sink is made from a homogeneous blend of polyester and acrylic polymers engineered to bring together performance and style in every application
- Non-porous surface resists mold, mildew, and stains
- Includes a recessed self draining faucet deck molded into the sink
- Fits into a 33" or larger sink base cabinet
- A faucet with a separate spout is recommended so that the spout can be centered between sinks
- Approved by the Massachusetts Board of Examiners of Plumbers and Gasfitters
- Certified by the NAHB research center to the ANSI Z124 standard



Massillon, OH 44648
330-837-2216

www.TowerShowers.com

www.TowerSinks.com

 **TOWER**
INDUSTRIES
www.TowerSurfaces.com