

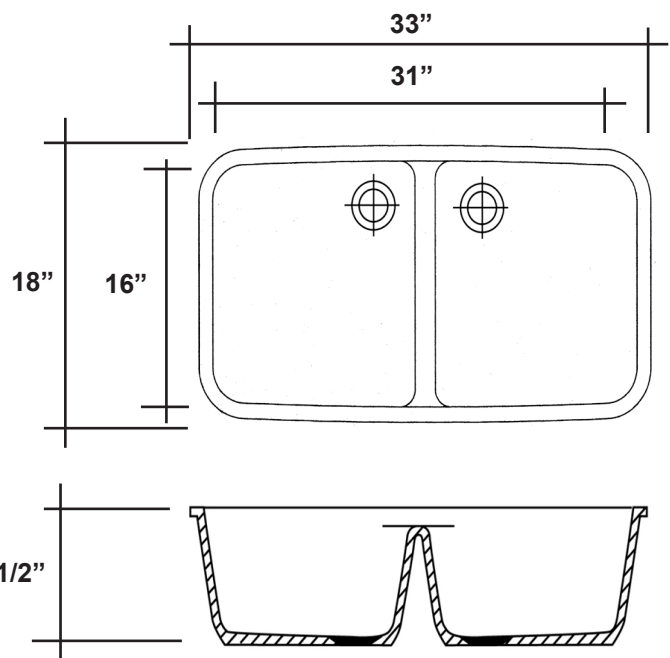
# MERIDIAN UNDERMOUNT KITCHEN SINKS

## # 101

Model # MKS101  
Sink Weight 47 Lbs.



- Meridian sinks are suitable for undermount applications in a variety of residential and light commercial environments
- Each sink is made from a homogeneous blend of polyester and acrylic polymers engineered to bring together performance and style in every application
- Non-porous surface resists mold, mildew, and stains
- Fits into a 33" or larger sink base cabinet
- Approved by the Massachusetts Board of Examiners of Plumbers and Gasfitters
- Certified by the NAHB research center to the ANSI Z124 standard



Massillon, OH 44648  
330-837-2216

[www.TowerShowers.com](http://www.TowerShowers.com)

[www.TowerSinks.com](http://www.TowerSinks.com)

 **TOWER**  
INDUSTRIES |   
[www.TowerSurfaces.com](http://www.TowerSurfaces.com)