

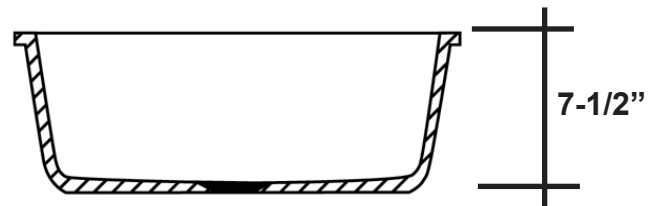
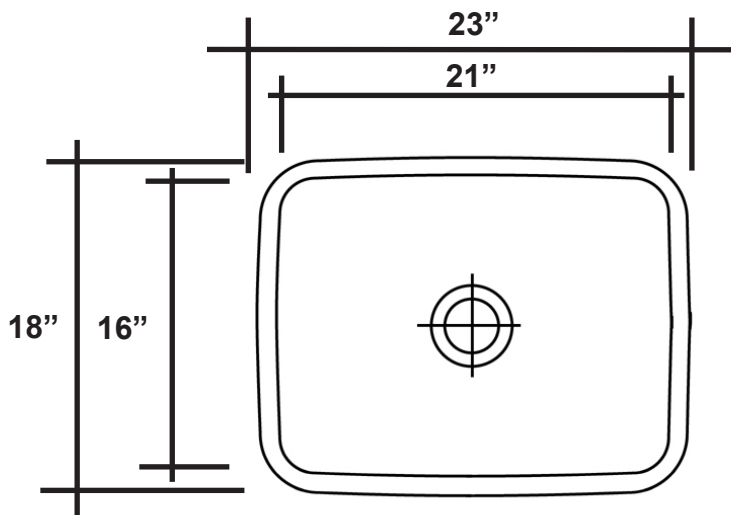
MERIDIAN UNDERMOUNT KITCHEN & BAR SINKS

Model # MKS230
Sink Weight 30 Lbs.



230

- Meridian sinks are suitable for undermount applications in a variety of residential and light commercial environments
- Each sink is made from a homogeneous blend of polyester and acrylic polymers engineered to bring together performance and style in every application
- Non-porous surface resists mold, mildew, and stains
- This sink bowl is great for kitchen sinks, laundry room sinks, or in combination with other single bowls to create your own custom configuration.
- Approved by the Massachusetts Board of Examiners of Plumbers and Gasfitters
- Certified by the NAHB research center to the ANSI Z124 standard



Massillon, OH 44648
330-837-2216

www.TowerShowers.com

www.TowerSinks.com

 **TOWER**
INDUSTRIES | 
www.TowerSurfaces.com