

SHOWER WALL PANELS & ACCESSORIES

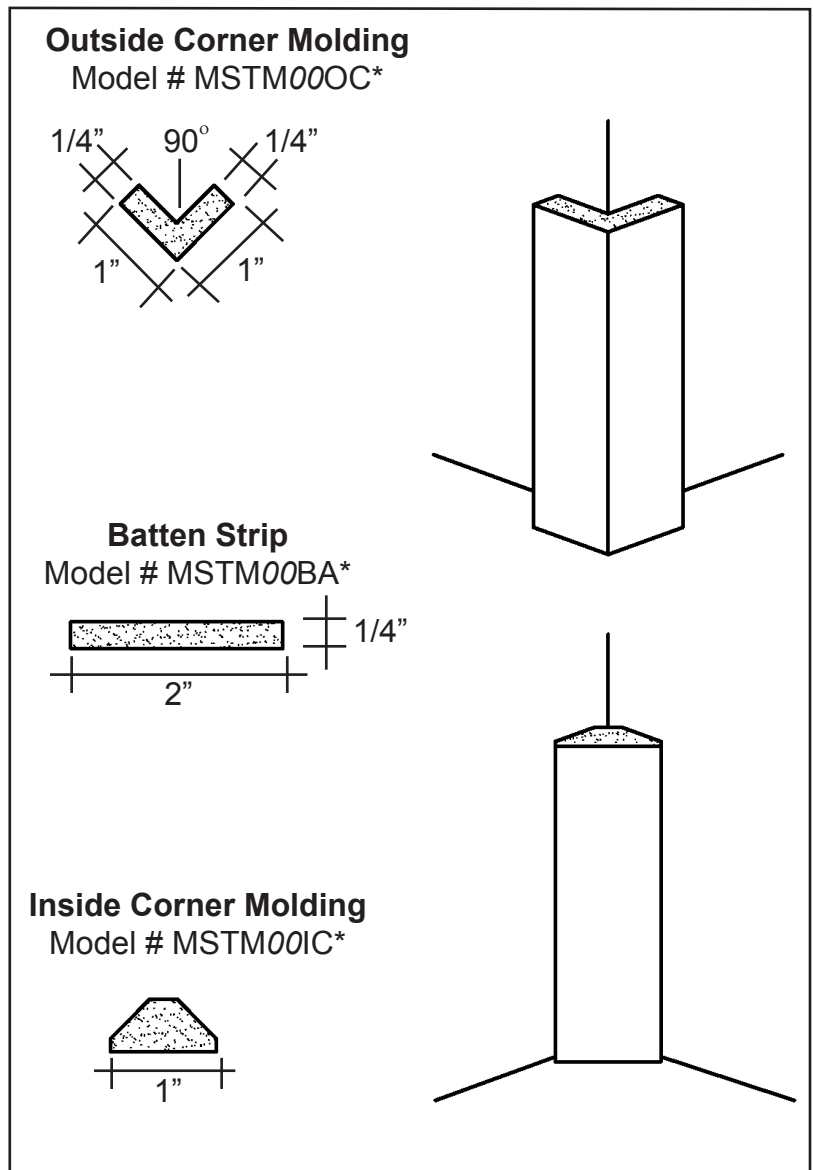
Meridian Solid Surface Trim Molding

Meridian Solid Surface shower trim moldings provide a clean transition from shower panel to shower panel or from shower panel to adjacent wall in a variety of commercial, institutional, and higher education applications.

In addition, when used with Meridian Solid Surface shower wall panels, the wall panels may be ordered slightly smaller than the wall, thus eliminating much of the trimming and scribing that is typically required at the time of installation.

All Meridian Solid Surface products are non-porous, so they resist mold, mildew, and stains and do not support the growth of harmful bacteria.

- All shower trim moldings available in any length from 36" to 120"
- Choose from a variety of solid colors and granite-patterned colors
- Matte Finish standard
- Intended to be trimmed and fitted at time of install
- Minimum order of 50 combined lineal feet per color applies
- Cannot be shipped separately from shower wall panels



* Insert actual molding length (in inches)
in place of the "00"